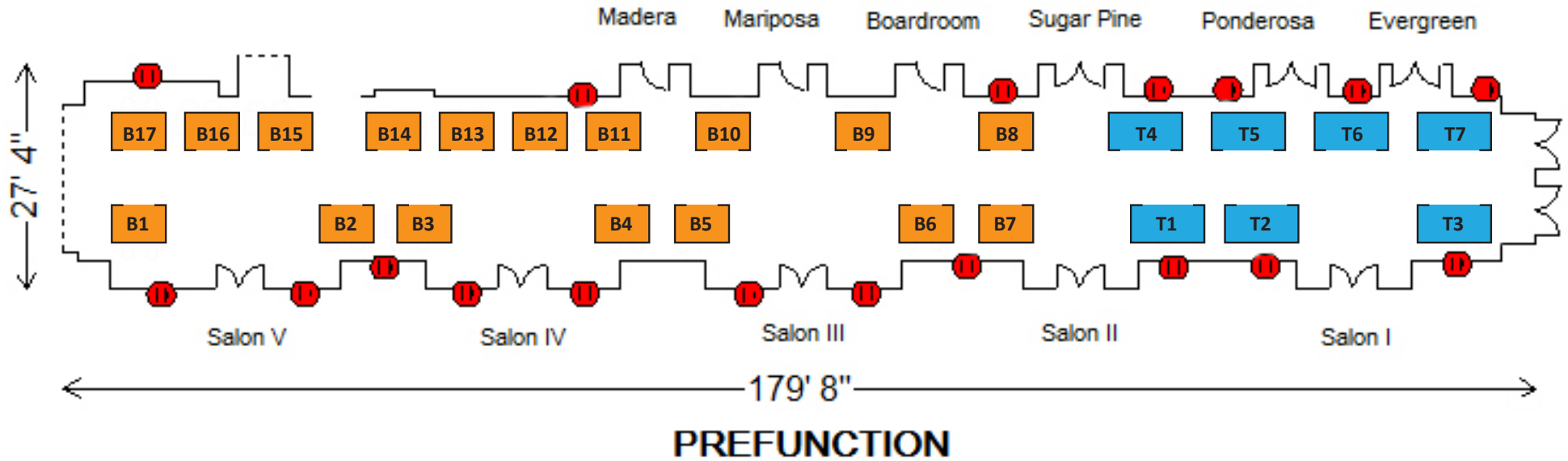


Thank You AEP 2020 Exhibitors



- Tabletop 1:** Ascent Environmental
- Tabletop 2:** GeoSearch
- Tabletop 3:** RDN
- Tabletop 4:** Blair, Church & Flynn Consulting Engineers, Inc.
- Tabletop 6:** UC San Diego Extension
- Tabletop 7:** EDR/Lightbox



- Booth 1:** PlaceWorks
- Booth 2:** SWCA
- Booth 3:** Rincon Consultants
- Booth 4:** FirstCarbon Solutions
- Booth 5:** Aspen Environmental Group
- Booth 6:** HMMH
- Booth 7:** Provost & Pritchard Consulting Group
- Booth 8:** HELIX Environmental
- Booth 9:** GEI Consultants, Inc.
- Booth 10:** WILDLANDS
- Booth 11:** Element Markets
- Booth 12:** ASM Affiliates, Inc
- Booth 13:** AECOM
- Booth 14:** Stantec Consulting Services Inc
- Booth 15:** Santa Clara Water District
- Booth 16:** Available
- Booth 17:** Available



lbynder@califaep.org or visit www.califaep.org

Deadline: September 30, 2020

