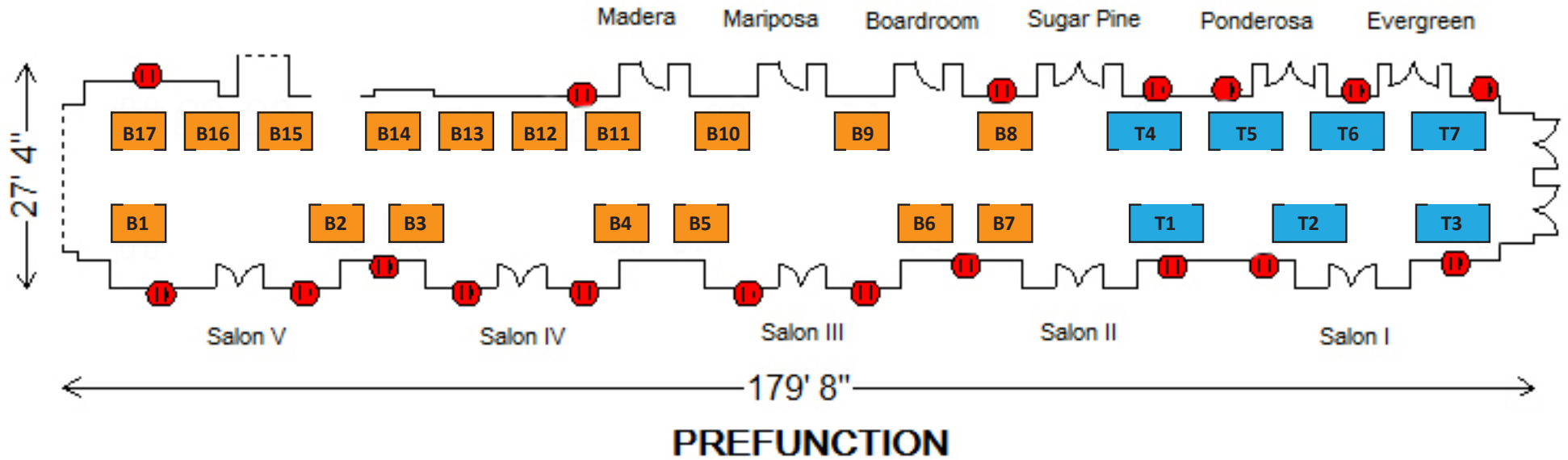


Thank You AEP 2022 Exhibitors



AEP2022
 CALIFORNIA STATE CONFERENCE
Strong Foundations to New Elevations
 YOSEMITE | April 10-13

lbynder@califaep.org or visit
www.califaep.org

Deadline: February 23, 2022

- T1** Tabletop 1:
 Tabletop 2:
 Tabletop 3:
 Tabletop 4:
 Tabletop 5:
 Tabletop 6:
 Tabletop 7:

- B1** Booth 1:
 Booth 2:
 Booth 4:
 Booth 5:
 Booth 6:
 Booth 7:
 Booth 8:
 Booth 9:
 Booth 10:
 Booth 11:
 Booth 12:
 Booth 13:
 Booth 14:
 Booth 15:
 Booth 16:

