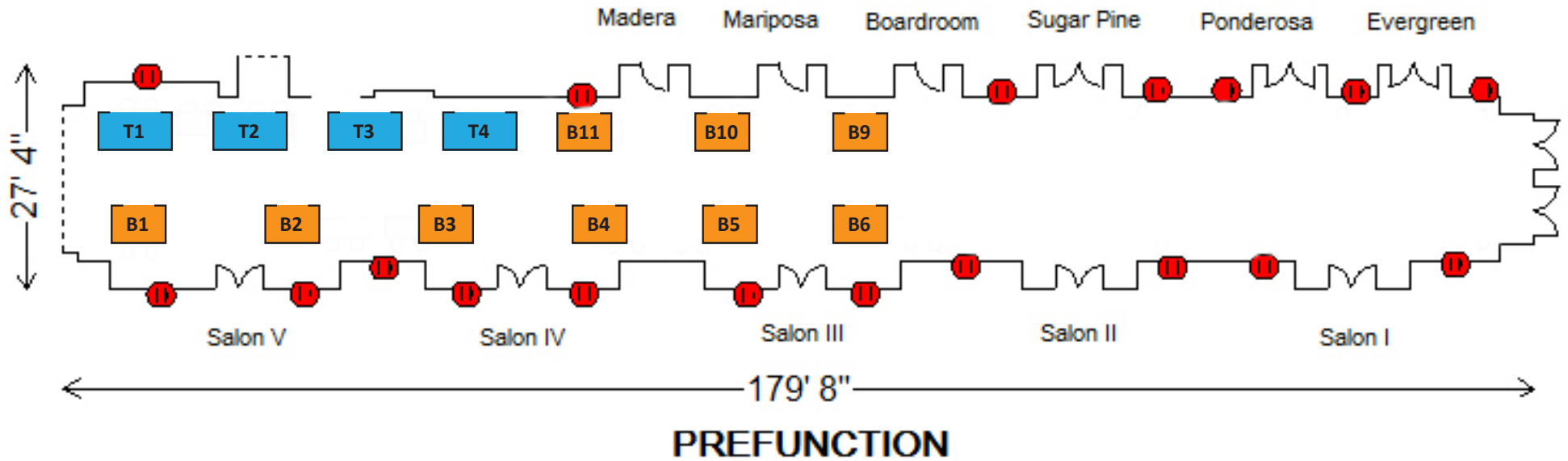


Thank You AEP 2022 Exhibitors



AEP2022

CALIFORNIA STATE CONFERENCE
Strong Foundations to New Elevations
 YOSEMITE | April 10-13

- T1** **Tabletop 1:** Ascent Environmental
- Tabletop 2:** Solano Press
- Tabletop 3:** Tyler Technologies
- Tabletop 4:** RES

- B1** **Booth 1:** Cardno Now Stantec
- Booth 2:** PlaceWorks
- Booth 3:** ICF
- Booth 4:** Aspen Environmental
- Booth 5:** HMMH
- Booth 6:** SWCA
- Booth 9:** Provost & Pritchard Consulting Group
- Booth 10:** AECOM
- Booth 11:** Westervelt Ecological

lbynder@califaep.org or visit
www.califaep.org

